

FURUTECH

PURE TRANSMISSION



AEx

オーディオ銘機賞
Audio Excellence Award 2008

NEW for 2009 • Multi Mode AC Power Filter/Distributor Daytona 303

Featuring specially engineered resonance damping receptacle locking plate and EMI-absorbing GC-303



Features:

- All conductors treated with Furutech's α (Alpha) Cryogenic and Demagnetizing Process
- 4 unfiltered outlets (FT-D15A (R) X 2)
 - Power amplifiers (Direct 1)
 - Preamplifiers, analog devices (Direct 2)
- 6 Digital filtered outlets (FP-15A-N1(R) X 3)---Transparent Cover
 - DVD and DVR (Filter 1 /Zone 1)
 - CD、Cable and SAT(Filter 2 /Zone 2)
 - TV and Projector (Filter 3 /Zone 3)
- Pure Transmission High Performance Receptacles
 - Nonmagnetic Rhodium-plated α (Alpha) phosphor bronze
- Beautifully-crafted highest grade aluminum panel and painted steel chassis
 - Effectively shields against RFI (Radio Frequency Interference)
- Layer of Formula GC-303 bonded to bottom plate
 - Effectively shields against EMI (Electro Magnetic Interference)
- Internal wiring: Furutech Alpha-10, 5.5 sq. mm (10 AWG), for low electrical resistance. Conductors insulated with resonance-absorbing tubing
- 24k gold-plated Nonmagnetic PCB
- WIMA High Performance Main Capacitors
- Front panel --- Eight indicators for effective check of abnormal voltage or amperage ---

- abnormal voltage indicator (Red)
 - Filter 1、2、3 / Zone 1、2、3 (Green)
 - Correct Path indicator (Green)
 - Breaker indicator (Red)
 - Digital voltage meter (Red)
 - Digital amperage meter (Red)
- Rear panel ---
 - Attachable LED Lamp for easy check or change of connections
 - Three sets of surge protected coaxial terminals
 - Surge protected 3-way (Input x 1 + Output X 2) phone connections
 - Remote control AC 100~120V In / DC 3~30V In / DC 12V Out (attachment)
 - Incorporates standardized mounting plates for equipment rack installation
 - Sequence Switch for Disable / Enable
 - Voltage Selector switch for 120V AC (60Hz) / 100V AC (50/60Hz)

Furutech's Award-Winning Pure Transmission Build Quality

Many A/V enthusiasts go to great lengths to carefully set up major system components, but pay little attention to the source, the AC power. Meticulous build quality is a large part of the engineering equation. Furutech Pure Transmission technology turns a macro lens on every element of power and signal transfer applying optimized engineering solutions to well-known problems such as contact resistance, EMI and RFI rejection, grounding, and using the best materials and processes available.

Furutech Daytona 303

Featuring Automatic Disconnect/Reconnect Protection Circuitry

Stage 3 Filtering dramatically reduces induced, radiated and ground-borne noise

12 Surge-Protected AC outlets, 3 pair protected coaxial connections, and 1-in/2-out fully-protected phone line connections!

The Daytona 303 is designed for Pro A/V Installations

The Daytona 303 delivers dramatic audio and video performance plus truly comprehensive home theater and audio system protection. It's specifically designed for professional installers working with high-end home entertainment systems, recording and touring venues. Furutech equipped the unit with these enhanced features:

- Digital readout to simultaneously monitor voltage and current
- Surge-protected phone connections
- 3 pairs of protected 2.5GHz coaxial connections
- 3 remote trigger controls
- Front and back XLR lamp connectors so you can see what you're doing!

The Daytona 303 Cleans AC Power for Better A/V Performance

The Daytona 303 filters both AC line noise and reduces noise generated by other connected components in the system. This pro-level unit features 3 ultra-advanced isolating filter sections including 2 analog audio filters and 2 digital filters, plus 2 ultra-high-current audio filters. The result is robust AC power line noise rejection *plus* high-level inter-component isolation for top-level reproduction.

Formula GC-303

GC-303 is a special material Furutech bonds to the interior bottom-plate of the chassis. (See illustration below) that absorbs EMI (Electromagnetic Interference) generated by the internal fittings of the unit.

Provides the World's Most Advanced Protection for Your Valuable Components

The Daytona 303 offers complete, comprehensive surge protection with an enormous 5250 joule capacity. Computer-controlled surge and voltage protection circuits monitor line voltage and disconnects instantly when dangerous over- or under-voltages occur, then reconnects the unit after the power returns to safe levels, protecting your gear.

The Daytona 303 Performance Envelope

Furutech recognizes that convenience is as important as function, and that's why the Daytona 303 is rack-mountable for easy integration into custom-installed rack-mount systems, with a convenient XLR lamp connector on the back of the chassis making it easy to see what you're doing!

The Complete Power Solution

The Daytona 303 offers complete, comprehensive surge protection, power conditioning plus pro-level convenience features to protect the significant investment you've made in your system. Dramatically improved image and sound are the improvements you'll see and hear first time, every time.

PCB & WIMA capacitors image

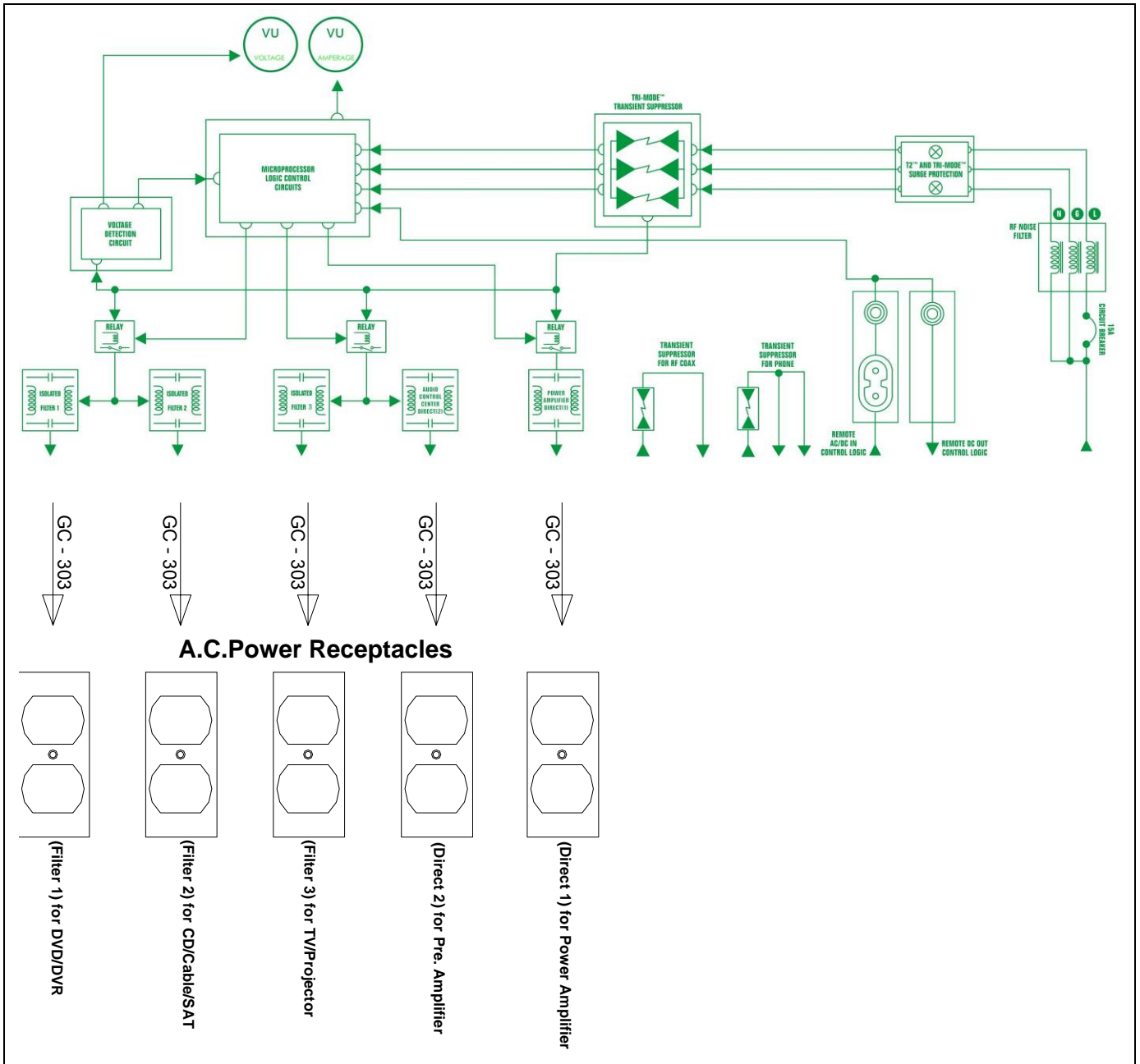


Specially engineered resonance damping receptacle locking plate

Front and Rear Image



CRICUIT PATH



Specifications

RATING	100V AC 50/60Hz 1500 VA	MOVEMENT TEMP.	-10 ~ 40 °C
	120V AC 60Hz 1800 VA	PRESERVATIVE TEMP.	-20 ~ 50!°C
CURRENT	15 A Max.	INDICATOR	LED(Green & Red)
FILTER TYPE	3 Independent Circuits Filter	FRONT PANEL	AL. Alloy Hair-line finished Plate
	LC Network	BODY MATERIAL	Steel Plate Painting
	GC-303 Absorbs EMI	OUTWARD SIZE	414(W) x 265(D) x 149(H) mm
OUTLETS	10Holes	WEIGHT(Net.)	20.2lbs / 9.2kgs Approx.

FURUTECH reserves the right to change product specifications without prior notice.

All metallic parts are treated with the

**FURUTECH α (Alpha) Process (Super Cryogenic & Demagnetizing Treatment.)*

Make A More Powerful Connection with Furutech!

FURUTECH CO., LTD • service@furutech.com • www.furutech.com