

FURUTECH

PURE TRANSMISSION



AEx
オーディオ銘機賞
Audio Excellence Award 2008



NEW for 2009 • f—TP 615E AC Power Filter/Distributor
Featuring Piezo Spikes, Axial Locking System and EMI-absorbing GC-303



Features:

- All conductors treated with Furutech's α (Alpha) Cryogenic and Demagnetizing Process
- Nonmagnetic Rhodium-plated α (Alpha) pure copper Pure Transmission schuko sockets
- Piezo ceramic and nano-carbon damping spikes
- Furutech's Axial Locking System lowers receptacle resonance by a factor of 10
- AC-1501 noise filter inlet features Rhodium-plated α (Alpha) Copper Alloy conductors
- Beautifully-crafted highest-grade aluminum chassis effectively shields against RFI (Radio Frequency Interference)
- A layer of Formula GC-303 bonded to the bottom plate effectively shields against EMI (Electro Magnetic Interference)
- Star-wired conductors using Furutech α (Alpha)-22, 3.8 sq. mm (12 AWG) for low electrical resistance, conductors insulated within resonance-absorbing tubing

Furutech's Award-Winning Pure Transmission Build Quality

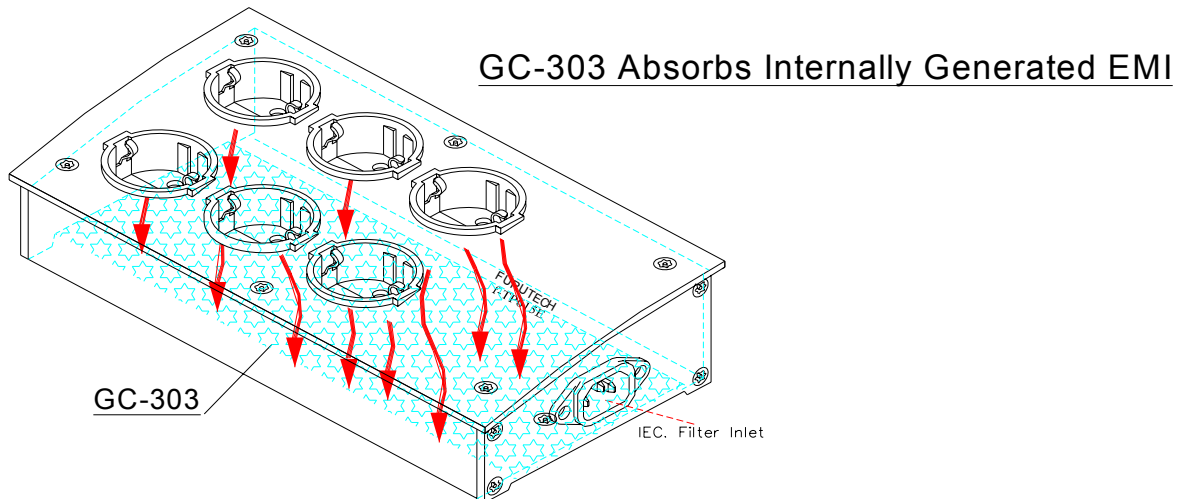
Many A/V enthusiasts go to great lengths to carefully set up major system components, but pay little attention to the source, the AC power. Meticulous build quality is a large part of the engineering equation. Furutech Pure Transmission technology turns a macro lens on every element of power and signal transfer applying optimized engineering solutions to well-known problems such as contact resistance, EMI and RFI rejection, grounding, and using the best materials and processes available.

Add any of several Furutech power cords a few resonance-damped carbon

fiber-over-stainless outlets with top-quality receptacles and you've gone a long way towards a powerful, suave, and satisfying musical experience.

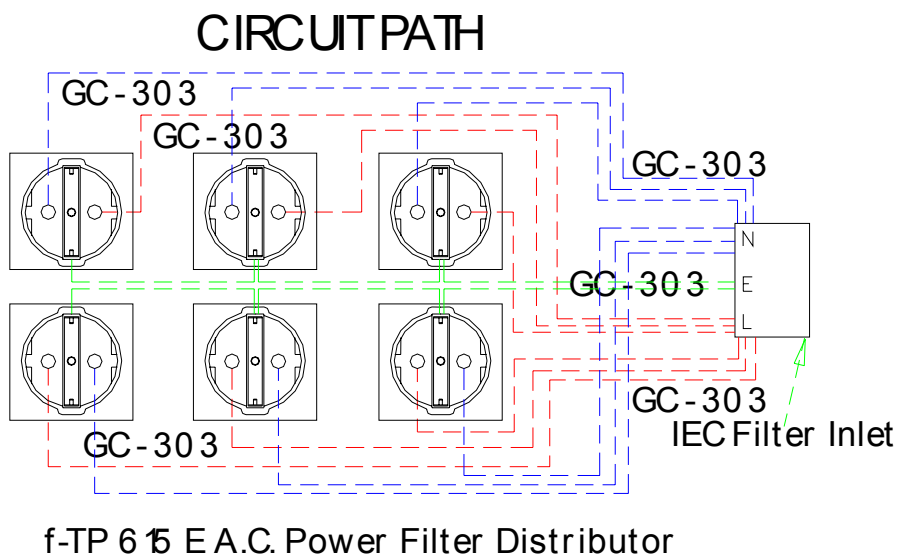
Formula GC-303

GC-303 is a special material Furutech bonds to the interior bottom-plate of the chassis. (See illustration below) that absorbs EMI (Electromagnetic Interference) generated by the internal fittings of the unit.



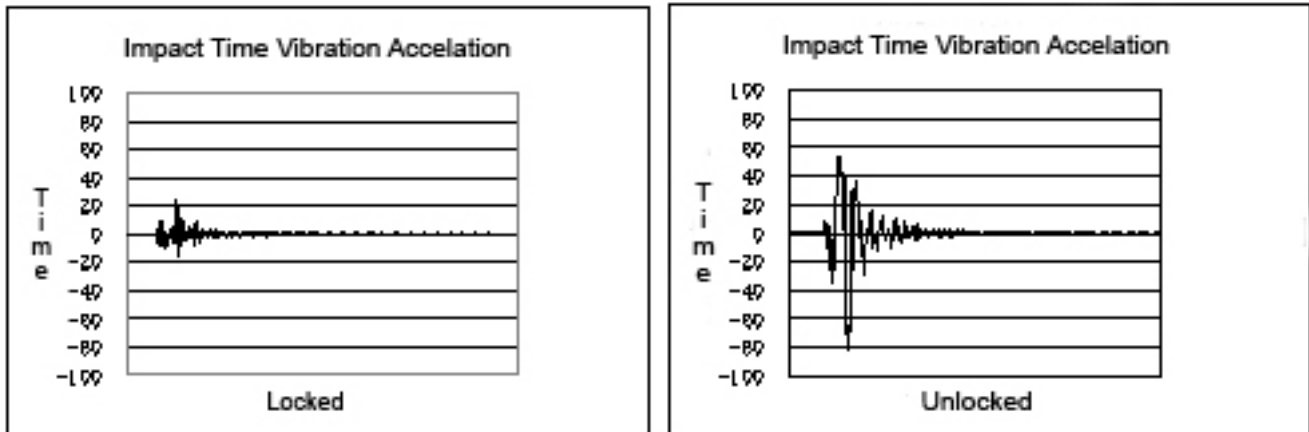
Interior Layout

Star Wired Hot, Neutral, and Ground With Resonance Damping
Tubing Isolating Each Conductor



Furutech's Patent-Pending Axial Locking System

Furutech designed a special locking screw that anchors each duplex receptacle preventing oscillation and enhancing long-term stability. A special 3M material surrounds and isolates each duplex outlet from resonance as well. Each Axial Lock is torqued to perfection to work with the 3M resonance control material at the factory.



Axial Locks Reduces Noise, Oscillation And Vibration By Nearly A Factor of Ten!

Specification:

Rating--- 10A 250V 50/60Hz

Grounding Outlet--- 6 Holes

Filter Type--- Noise Filter Inlet+GC303

Absorbs Internally Generated EMI

Outward Size-- 250X127.5 X70 mm ± 0.5 mm

Movement Temp. --- -10~40 °C

Preservative Temp.--- -20~50 °C

Body Material--- Aluminum Alloy Chassis

Weight--- 1.7kgs (Approx.)

The Critics Speak

“One last comment has to go to the finish of the connectors ... Tolerances are spot on, the stuff goes in smoothly, locks and unlocks without any undue play ... There's something luxurious and silken about the Furutech connectors. Like fine Swiss watches. This stuff also routes and drapes easily. ... Since it does perform to a very high standard, getting the tactile satisfaction and pride of ownership bits thrown into the bargain is worth mentioning.

-- Srajan Ebaen, 6moons.com

Winner of Four Positive Feedback Brutus Awards!

FI-50 Piezo Ceramic Series Connectors Win Innovations Award for 2009!

Make A More Powerful Connection with Furutech!

FURUTECH CO., LTD • service@furutech.com • www.furutech.com