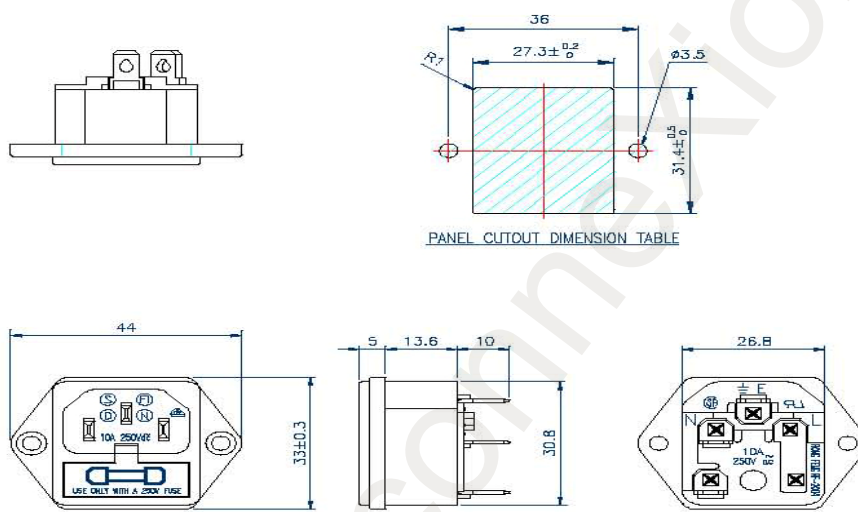


PARTS CONNEXION

High Performance IEC Inlet with 5X20mm Fuse Holder 10A 250V A.C.



PANEL CUTOUT DIMENSION TABLE

CONNEX-62491