

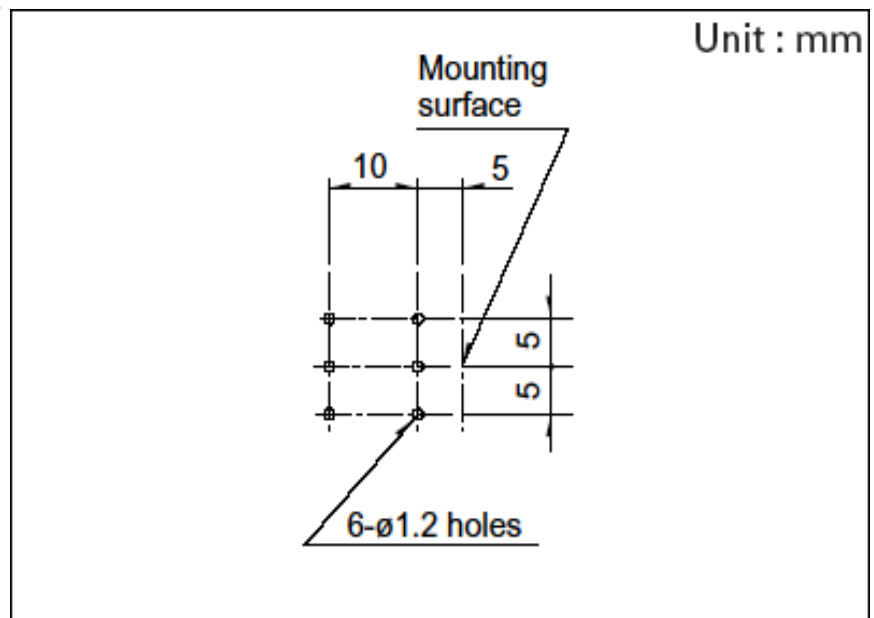


ALPS

ALPS STEREO POTENTIOMETER

Number of resistor elements Dual-unit
 Mounting direction Horizontal type
 Shaft types Slotted
 Length of the shaft 25mm
 Detent Without
 Total resistance 100kΩ
 Resistance taper 15A
 Minimum order unit (pcs.) 500

Operating temperature range -10c to +70c
 Electrical Performance Total resistance tolerance ±20%
 Rated power 0.05W
 Maximum operating voltage 30V AC
 Maximum attenuation 100dB min.
 Gang error -60dB to 0dB 3dB max.
 Insulation resistance 100MΩ min. 500V DC
 Voltage proof 500V AC for 1 minute
 Mechanical Performance Total rotational angle 300±3°
 Rotational torque 8 to 35mN·m
 Stopper strength 0.9N·m
 Push-pull strength 100N max.
 Vibration 10 to 55 to 10Hz/min., the amplitude is 1.5mm for all the frequencies, in the 3 direction of X, Y and Z and for 2 hours respectively
 Solder heat resistance Manual soldering 350c max, 5s max.
 Durability Operating life 15,000 cycles
 Environmental test Cold -30±3c for 96h
 Dry heat 70±2c for 96h
 Damp heat 40±2c, 90 to 95%RH for 96h



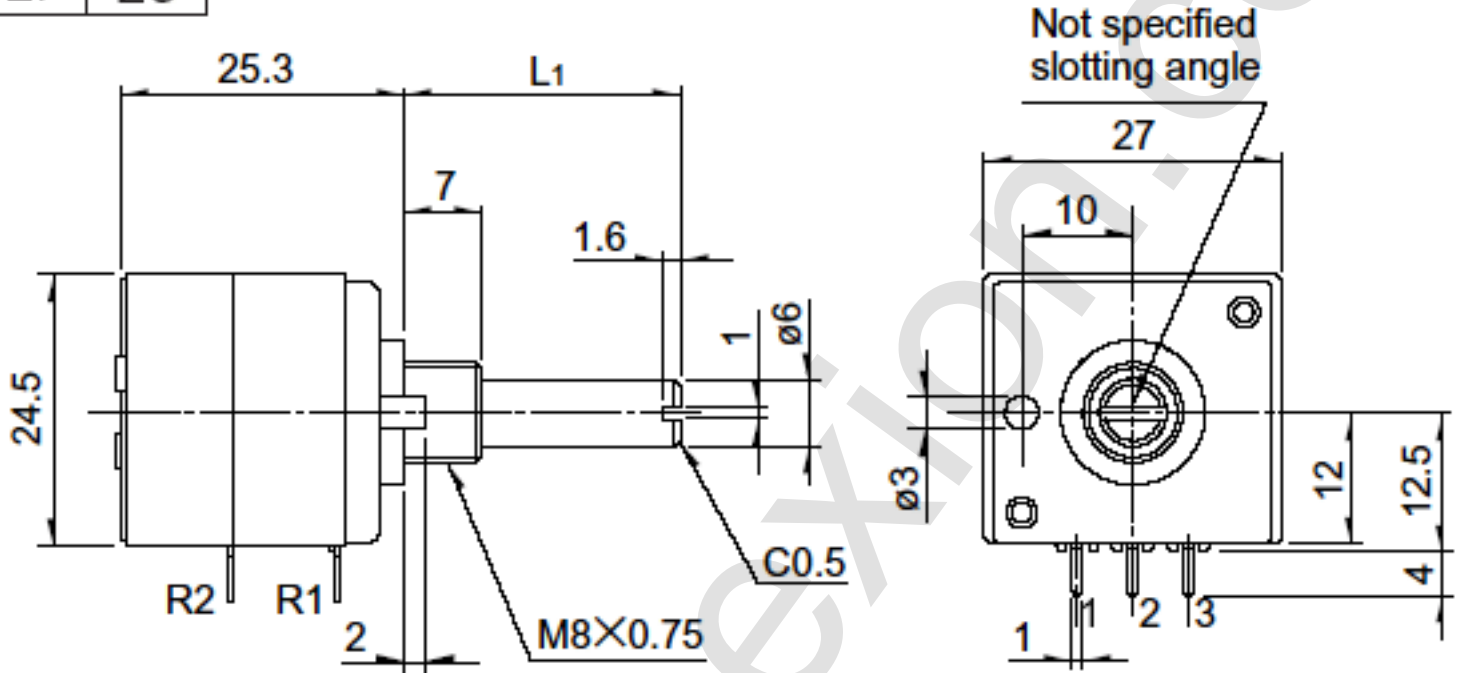


ALPS

ALPS STEREO POTENTIOMETER

Unit : mm

L ₁	25
----------------	----



Hexagonal nut

Flat washer

Unit : mm

