

PARTS CONNEXION



Audio Note™ Digital Interface Transformers.



ANUK Order Code	Type & Usage	Wiring/Nickel Strip Thickness	Physical Size
TRANS-279	CDT output/DAC input	Two wire copper wired on 0.05 mm lam toroidal core	28 mm diameter x 12mm deep
TRANS-278	CDT output/DAC input	Two wire Audio Note™ silver wired, 0.05 mm lam toroidal core	28 mm diameter x 12mm deep
TRANS-280	CDT output/DAC Input	Two wire Audio Note™ silver wired, 0.025 mm lam toroidal core	28 mm diameter x 12mm deep
TRANS-269	For balanced AES/EBU output for CDT or DAC input	Three wire copper wired on 0.025mm lam toroidal core	28 mm diameter x 12mm deep
TRANS-268	For balanced AES/EBU output for CDT or DAC input	Three wire Audio Note™ silver wired, 0.025mm lam toroidal core	28 mm diameter x 12mm deep

1-866-681-9602 • Local: 905-681-9602 • Fax: 905-631-5777

Shipping Address: 5109 Harvester Rd, Unit B2 • Burlington • Ontario • Canada • L7L 5Y4

Website: www.partsconnexion.com • Email: info@partsconnexion.com



Audio Note™ Digital Interface Transformers.

If used at all, most digital transformers used in the outputs of CD transports or the input of d-to-a converters are cheap jobs with ferrite cores, in order to improve on this we have commissioned a toroidal core made from very thin laminate spun 80% nickel strip, housed in a small plastic "doughnut", buy one, compare the quality and be prepared to be shocked, there are good reasons why our Level One and higher Level 1xoversampling™ d-to-a converters have the reputation they have and the digital interface transformers have a great deal to do with this.

The three-wire version is for AES/EBU inputs with balanced XLR inputs, see Q&A plus diagrams of how to wire the above transformers below.

Some Q & A's regarding the 2 and 3-wire digital transformers.

Do a continuity check of the 2 (x 3) twisted wires, which gives you 3 electrical pairings.

1. The 2 pairs are arbitrarily selected for the 110R side, and the remaining for the 880R side?

That's right, all three windings are identical.

2. It does not matter which of the set of 3 twisted wires is selected as the "start" wires?

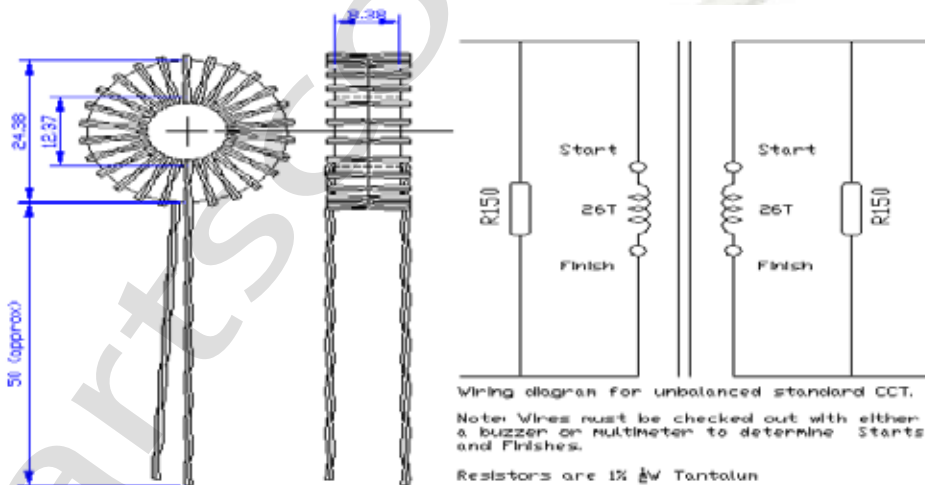
Right again, as long as the same group of 3 ends is always referred to as the start set. The other set are of course the finishes of those wires.

3. 1/2 watt 880R Audio Note Tantalum resistors do not appear to be available. I intend to use 1200R and 3300R resistors in parallel instead.

Use 910R, the specification for the AES/EBU termination impedance is $\pm 20\%$.

4. Is the 880R side facing the DAC (chip) side? If so, how are the 3 110R wires hooked up to the AES/EBU e.g. "start" to + signal, "start/finish" pair to ? (DGND ?), finish to - signal? If not, what is the hook up wiring to be done?

Yes, the 880R side faces into the DAC circuitry. The 220R side "start" goes to the +XLR pin, the "start/finish" goes to gnd, "finish" goes to the -XLR pin. The phasing of the secondary is irrelevant as the information is biphase mark encoded. But you may like to keep this as before by ensuring that the "starts" and "finishes" of the new and original transformer are kept to go to the same points.



Technical Data for Part No's:
TRANS-278 (Silver Wire Version)
TRANS-279 (Copper Wire Version)

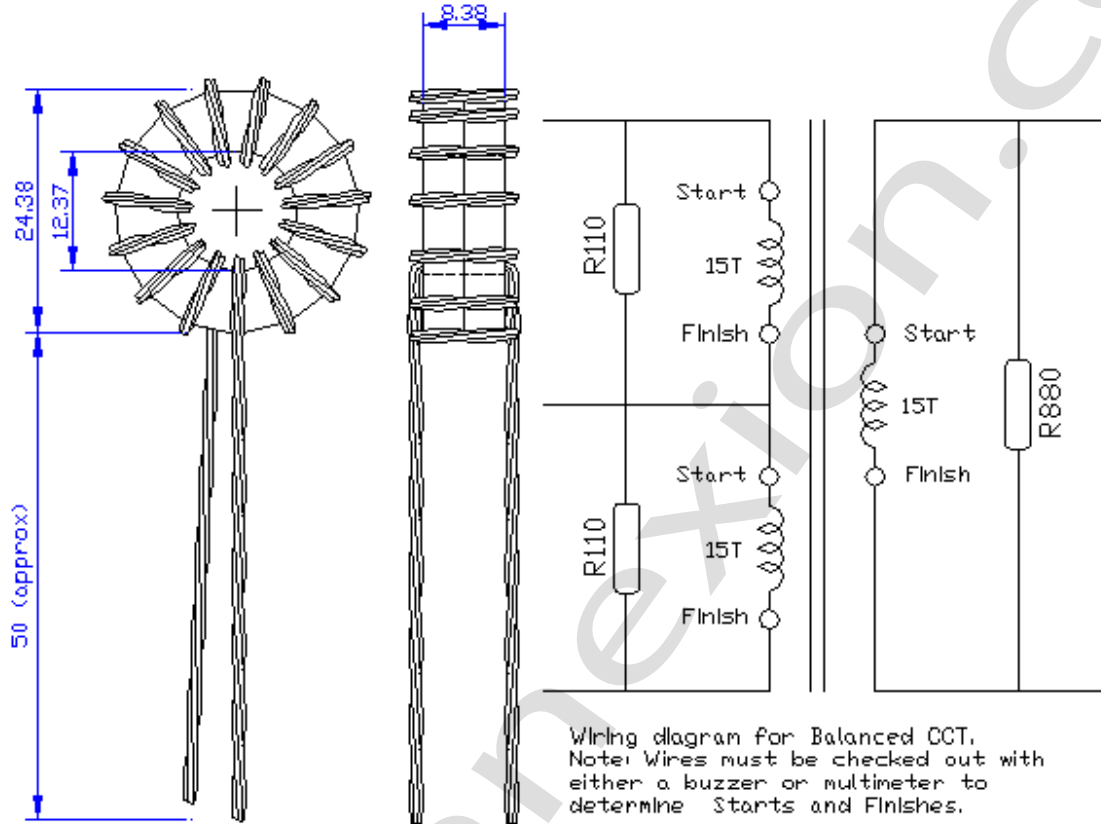
26 Turns of 2 Ply 0.5mm ϕ wire on Carpenter (Telcon)
Type 2b Strip Wound Toroidal Core.

Wiring diagram for unbalanced standard CCT.
Note: Wires must be checked out with either
a buzzer or multimeter to determine Starts
and Finishes.
Resistors are 1/2 W Tantalum

PARTS CONNEXION



Audio Note™ Digital Interface Transformers.



Technical Data for Part No's:
TRANS-268 (Silver Wire Version)
TRANS-269 (Copper Wire Version)

15 Turns of 3 Ply 0.5mmØ wire on Carpenter (Telcon)
Type 2b Strip Wound Toroidal Core.

Wiring diagram for Balanced CCT.
Note: Wires must be checked out with
either a buzzer or multimeter to
determine Starts and Finishes.

Resistors are 1/2 W Tantalum