

Fidelity Components MLytic

With the **MLytic® Audio Grade** series we are extending our range of products to a series especially conceived for applications within the pre-amplifiers or small power amplifiers. The assemblage always refers to snap-in models for assembly boards.

Throughout its development, importance was placed upon attaining low ESR and ESL values, as well as a low inner-sound development.

Specifications:

- Long lifespan
- All contacts welded
- Compact size

Technical specifications:

Temperature range: -40°C... +85°C

Max. reverse voltage: 2V

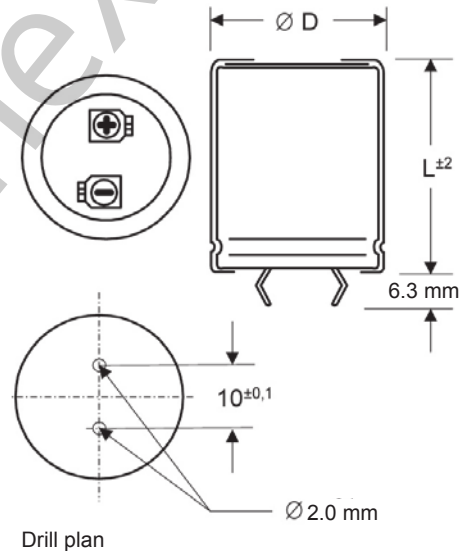
Leakage current 5 min. @ U_R : $0.007 * C [\mu F] * U [V] + 6mA$

Leakage current 1 h @ U_R : $0.15 * \text{leakage current 5 min} @ U_R$

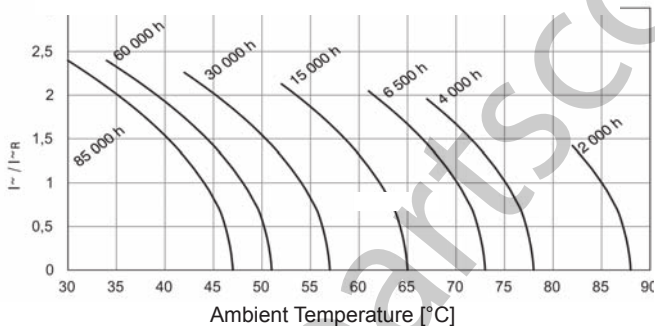
Specs.: DIN 41332 IEC 384 - 4

Insulation: Heat shrinkable tubing test voltage³ 2 500 VAC

Terminals: Snap In



Useful Life
as a function of ambient temperature and ripple current



pcX SKU #	Mlytic Audio Grade Snap-In Electrolytic Power Cap	Value μF	DC Voltage	Dimension (mm) $\varnothing * H$	ESR (mOhm)	ESL (nH)
MUNDORF-024-71835	MLsi63-2200	2200	63	22*30	55	10
MUNDORF-025-71836	MLsi63-3300	3300	63	30*30	50	10
MUNDORF-026-71837	MLsi63-4700	4700	63	30*40	32	10
MUNDORF-027-71838	MLsi63-6800	6800	63	30*40	28	10
MUNDORF-028-71839	MLsi63-10000	10000	63	30*50	25	10
MUNDORF-030-71840	MLsi63-22000	22000	63	40*80	20	10
MUNDORF-031-71841	Mlsi40-4700	4700	40	22*30	68	10
MUNDORF-032-71842	Mlsi40-6800	6800	40	30*30	55	10
MUNDORF-033-71843	Mlsi40-10000	10000	40	30*40	32	10
MUNDORF-034-71844	Mlsi40-15000	15000	40	30*50	18	10
MUNDORF-035-71845	Mlsi40-22000	22000	40	35*50	14	10
MUNDORF-038-71846	MLsi25-10000	10000	25	23*35	32	10
MUNDORF-039-71847	MLsi25-15000	15000	25	30*35	32	10
MUNDORF-040-71848	MLsi25-22000	22000	25	30*40	32	10
MUNDORF-041-71849	MLsi25-33000	33000	25	30*50	32	10
MUNDORF-042-71850	MLsi25-47000	47000	25	35*50	22	10