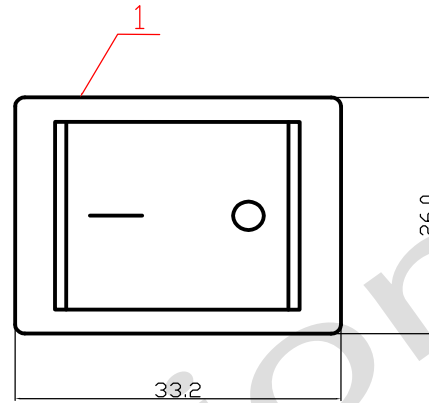




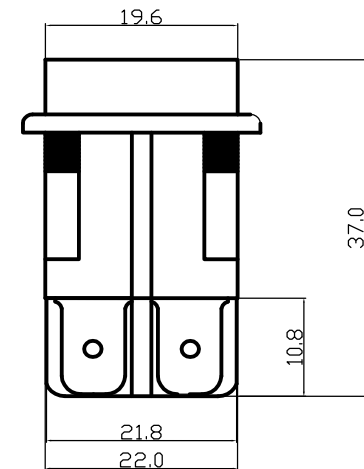
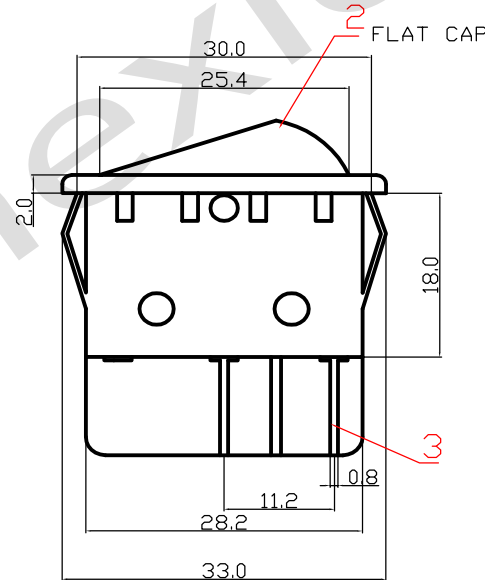
SPECIFICATIONS

- 1 RATING : 20A 125VAC 15A 250VAC
- 2 CONTACT RESISTANCE : 30 m OHMS MAX
- 3 INSULATION RESISTANCE : DC 500V 1000 m OHMS Min
- 4 WITHSTAND VOLTAGE : AC 1500V 1 Minute
- 5 OPERATION FORCE : 0.3-0.8KG
- 6 OPERATION LIFE : 10.000 Cycles At Full Load



PANEL CUT-OUT

Function		Color		Cap Printing	
A	4P ON-OFF	Housing/Cap		0	None
B	6P2 ON-ON	B	Black	1	
C	6P3 ON-OFF-ON	W	White	2	
D	6P2 ON-(ON)	R	Red	3	
E	4P W/LAMP	O	Orange	4	
F	6P2 W/LAMP	G	Green	5	
G	6P3 ON-OFF-(ON)	BL	Blue	6	
C-DM	6P3 (ON)-OFF-(ON)	Y	Yellow	7	
				8	
				28	



3	TERMINAL	4	Bsp1-1/2H t=0.8mm
---	----------	---	-------------------

2	ROCKER	1	PC
---	--------	---	----

1	HOUSING	1	Nylon #66
---	---------	---	-----------

NO.	DESCRIPTION	QTY	MATERIAL	SPECIFICATION
-----	-------------	-----	----------	---------------

TOLERANCE	SIGNATURES	DATE
0 - 10 ±0.05	DRAFT:	
10 - 99 ±0.5	CHECKED:	
100 - 999 ±10.0		
1000 - 9999 ±100.00		
10000 - 99999 ±1000.00		

REV.	ECO	PART NO.	DATE	BY
------	-----	----------	------	----

A0		JR 5423		
----	--	---------	--	--

B				
---	--	--	--	--

APPROVAL:	SCALE	UNIT	REV.
	SHEET	mm	0
	OF	1:1	

TITLE	Rocker Switch/125V, AC-16A,250V,AC-10A
CUSTOMER	A. DPST 4P ON-OFF B. DPDT 6P ON-ON C. DPDT 6P ON-OFF-ON E. DPST 4P Illuminated F. DPDT 6P Illuminated