



## CP600 (Potentiometer)

### Conductive Plastic

Low rotational noise level

### Small size

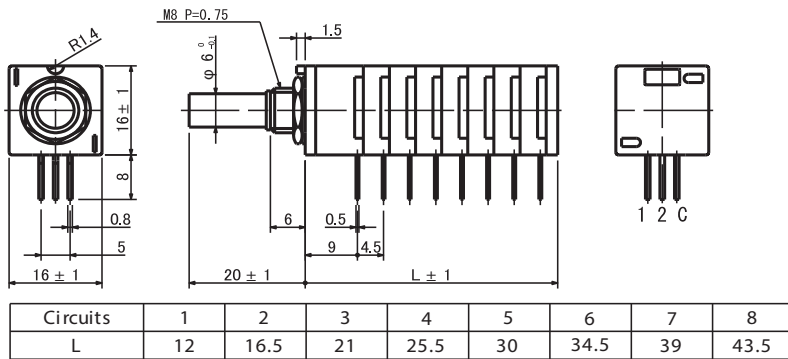
16mm square

### High Quality

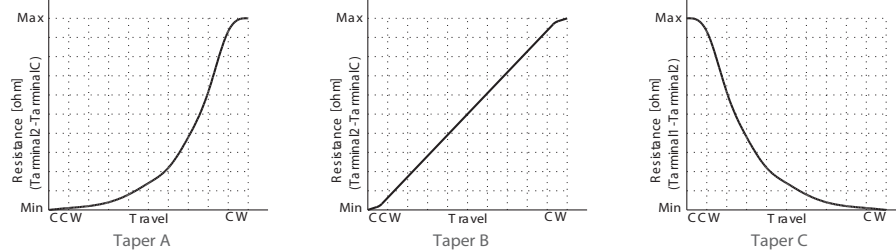
All parts are highly precise.



### Dimensions



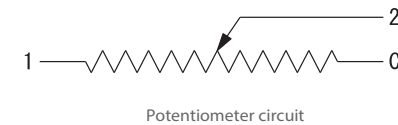
### Output Law



### Model number

2	CP601	C	-	B	10K
Number of circuit (2~8) Blank: single circuit	Product type	Mechanical click option Blank: Without click C: With Center click S: With click (15degrees step)		Taper A: JIS -A B: JIS -B C: JIS -C	Total resistance

### Circuit method



### Electrical specifications

	CP600 -A	CP600 -B	CP600 -C
Circuit (Unbalanced)	Potentiometer circuit		
Total resistance (1 -C)	5k, 10k, 50k, 100kohm		
Total resistance tolerance	±20%		
Taper tolerance (150 deg)	10~25%	40~60%	10~25%
Residual resistance	Terminal2 -C: 1% or 100ohm Terminal1 -2: 1%	Terminal1 -2 & 2 -C: 1% or 100ohm	Terminal1 -2: 1% or 100ohm Terminal2 -C: 1%
Matching accuracy	3dB Max.		
Voltage proof	1 Min. at AC500V		
Insulation resistance	50Mohm or more at DC500V		
Max rating	DC20V		
Rotational noise level	47mV or less (by JIS C 6443)		
Rotational life	100,000 Cycles Min. (18cycles/min)		

### Mechanical specifications

	CP600
Operating angle	300 degrees ±5 degrees
Rotational torque	0.1~1.2Ncm (Different by number of circuit)
Strength of Nut -Attached	50Ncm
Attached Parts	Hexagonal nut (M8)
Stopper strength	50Ncm
Push -pull strength	50N

### General specifications

	CP600
Temp. range	-10 to +70 degrees C (Operating), -15 to +75 degrees C (Storage)
Relative humidity	90%RH (No condensation)

### Note

\* Solder heat resistance: 350degrees C max, 5sec max, to twice. (Manual soldering only)  
\* Special order of the shaft length is possible. Please contact us for details.