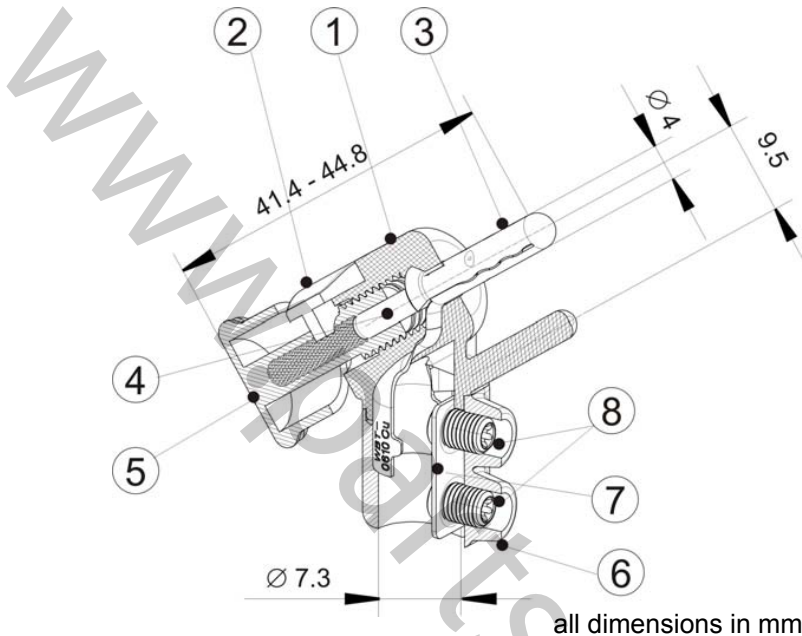


WBT- 0610 Cu/Ag E

WBT-BAN-71672 (Cu - Copper)
WBT-BAN-71673 (Ag - Silver)



Component List		
1	Base element PC, Makrolon ¹	1
2	Spindle lock (polarity code) PA, Ultramid ² red, white or black	1
3	Signal conductor, Cu pure copper	1
4	Pressing spindle, Ms	1
5	Spindle handle PC, Makrolon ¹	1
6	Screwing cage PC, Makrolon ¹	1
7	Thread plate, VA non-ferromagnetic	1
8	Grub screw, Ms Torx ³ M4 x 7 mm	2
Extent of delivery: 1 - 8 mounted		
Revision date 09.01.2009		

¹) Makrolon is a reg. trade mark of Bayer, Germany
²) Ultramid is a reg. trade mark of BASF, Germany
³) Torx is a reg. trade mark of Camcar Textron, USA

⁴) CE is the abbreviation of Conformité Européenne
⁵) IEC is the abbreviation of International Electrotechnical Commission

WBT and nextgen are reg. trade marks of WBT GmbH, Germany

nextgen™ Banana Plug WBT- 0610 Cu (Pat. pend. 10 2008 007 866)



WBT-0610 Cu
RoHS compliant

Low conductive mass banana plug (nextgen™ technology with optimized conductor mass), high current capability, completely isolated, compliant with CE⁴ EN 60065 and with the international standard IEC⁵ 65 (>34.5 Volt).

- Mechanics**
 - One piece contact element
 - Reliable double thread joint (for contact and strain relief as well)
(tested under conditions simulating a 5 years environmental thermal stress)
 - Optimal contact quality by patented straddle mechanic
- Materials**
 - conductor, massive, pure copper
 - thread plate, stainless steel VA, non-ferromagnetic
 - base element, from transparent Makrolon¹ (PC), T. -max. 85-110°C.
(under extreme exposition to UV radiation a slight change of colour may occur but without affecting functionality)
 - spindle lock, made from Ultramid² (PA)
 - spindle, brass
- Surfaces**
 - Signal conductor: gold plated, nickel-free, non-ferromagnetic
- Operating Characteristics**
 - Permanent current $I_D = 0.5 \cdot 10^2 \text{ A}$
 - Peak current $I_S = 10^2 \text{ A}$
 - Transition resistance $R_{tr} < 0.5 \text{ mOhm}$
 - Insulation resistance $R_{iso} > 10^{10} \text{ Ohm}$
 - Electric strength of isolation $> 30 \text{ kV}$
- Connection**
 - designed for solder-free crimped connections
 - for crimped cable ends up to 10 mm^2 (7 AWG) conductor cross section, reliable fixation thanks to Torx³ screws

Warning against usage of contact cleaners: their contents may cause damage to the insulators!

Accessories / useful tools:

WBT offers a wide range of crimping accessories:

Cable end sleeves

pure copper, gold-plated (from 0.5 to 16 mm² /20 to 5 AWG)
 fine silver with platinum finish (from 1.5 to 6 mm² /AWG 15 to 9)
 special **Crimping Pliers** for the above mentioned tasks and a **Crimpsset** for starters.