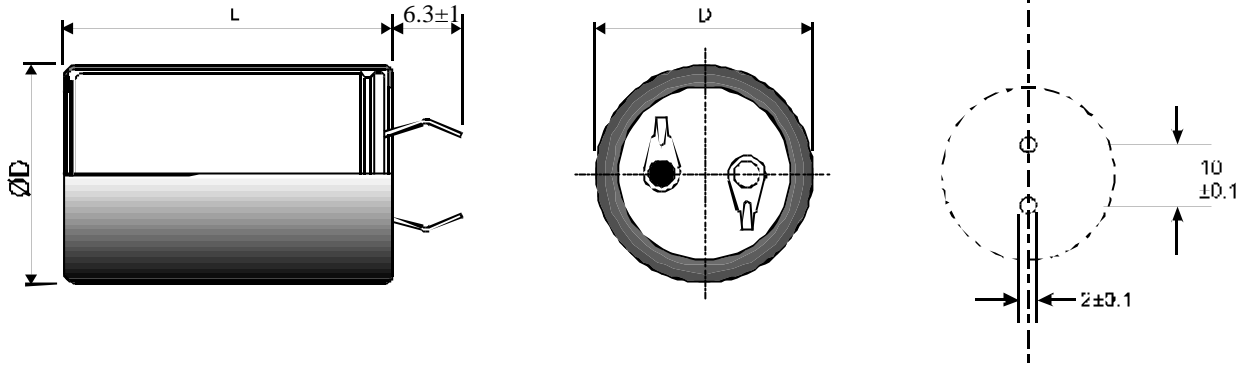


Part Number : ALC10S1104DL

Customer : DNM Design

Customer p/n :



Diameter (mm) 35 -0/+1

Length (L or L2) (mm) 80 +/-2

Terminals 2 PIN SNAP IN

Other Dimensions

Capacitance: 10000 uF

Lower Cap Tolerance: 20 %

Upper Cap Tolerance: 20 %

Working Voltage: 80 V DC

Surge Test Voltage: 92 V DC

ESR 50 m'Ohms MAX @ 100 HZ,20°C

IMPEDANCE 44 m'Ohms MAX @ 10 KHZ,20°C

DC LEAKAGE 4.8 mA max @ Test Volts

Test Voltage 80.0V DC

Rated ripple current 7.37 A rms at 100 Hz and 85 °C

Temperature range -40 °C to 85 °C

Approved _____ Date _____

Form : FM003.DES Iss : 2 Date : 10/08/93